

Pressure Gauges

Service intended

Suitable for dry and gaseous media that will not attack copper alloy parts.

Design

EN 837-3

Nominal size

63, 80, 100 mm

Accuracy class per EN 837-3/6

1.6

Scale ranges per EN 837-3/5

63, 80 mm: 0/25 to 0/600 mbar

100mm: 0/6 to 0/600 mbar

or other equivalent units of pressure or vacuum

Working pressure

Steady: full scale value

Fluctuating: 0.9 x full scale value

Operating Temperature

Ambient: -20... +60 °C

Medium: +100 °C maximum

Temperature error

Additional error when temperature of the pressure element deviates from +20 °C

Rising temperature: +0.3%/10K of true scale value

Falling temperature: -0.3%/10K of true scale value

Standard features

Pressure connection

Material: Cu-alloy

Threaded entry per DIN 26 288, G $\frac{1}{4}$ A, 14mm flats

63 mm: G $\frac{1}{4}$ B (male), 14mm flats

80, and 100 mm: G $\frac{1}{2}$ B (male), 22mm flats

Pressure element

Material: Cu-alloy

Sealing ring

NBR (Buna rubber)

Movement

Cu-alloy

Zero adjustment

Through window

Dial

White aluminium with black lettering

Protections

IP45



Pointer

Black aluminium

Case

Steel painted

Window

Crystal clear plastic

Bezel ring

Chromed steel

Optional extras

-Other pressure connection

-Slip-on bezel

-3-hole surface mounting flange

-U bracket for clamp fixing

-Red pointer fixed on transparent or on dial

-Dragged pointer of MIN / MAX

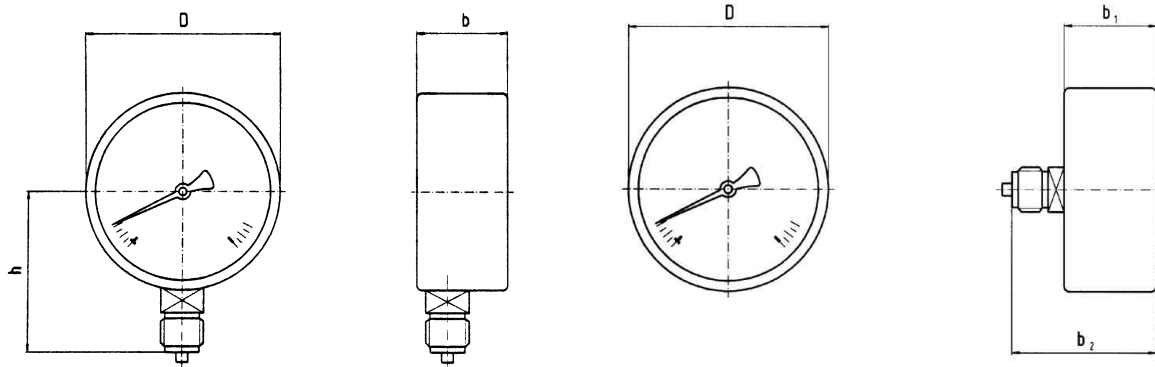
-Throat element

-Red mark

-Thread $\frac{1}{8}$ - $\frac{1}{4}$ - 9x1 - 10x1 : BSP - BSPT - NPT

Dimensions

Standard version



Nominal Size	Dimensions [mm]					Weight [g]
	h	b	b1	b2	D	
63	50	26	26	45	63	190
80	65	34	34	68	82	400
100	88	48	48	86	105	660

Ordering information

State:

Pressure gauge model / Nominal size / Scale range / Size of connection / Optional extras required

Specification and dimension given in this leaflet represent the state of engineering at the time of printing. Modifications may take place and materials specified may be replaced by others without prior notice

MANROS Italy srl - Via Garibaldi 21 - 29100 PIACENZA (ITALY)
Factory: Via Bricchi 16 – 29013 Carpaneto P.no (Piacenza) Italy
Tel: +39 0523 859571 - Fax: +39 0523 852354 - Mobile: +39 335 7019302