

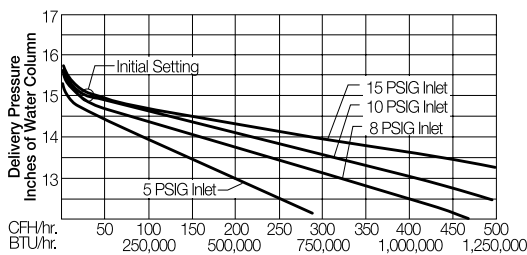
Low Pressure Second Stage Tobacco Barn Regulator LV5503G4 Series

Application

Especially developed for drying barns in the tobacco industry. The LV5503G4 regulator will supply a steady and constant flow of fuel to as many as 12 to 20 burners throughout the barn.

Features

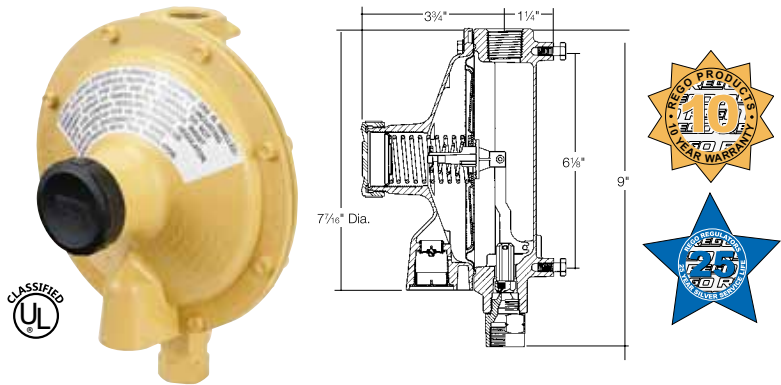
- Similar to construction of the LV5503B Series. Provides the same stability, low lock-up, and sensitive performance.
- Equipped with integral relief valve.
- Built in pressure tap has plugged 1/8" F.NPT outlet. Plug can be removed with a 3/16" hex allen wrench.
- Distinctive yellow finish.



Materials

Body	Die Cast Aluminum
Bonnet	Die Cast Aluminum
Nozzle Orifice	Brass
Spring	Steel
Valve Seat Disc	Resilient Rubber
Diaphragm	Integrated Fabric and Synthetic Rubber

LV5503G4 Series

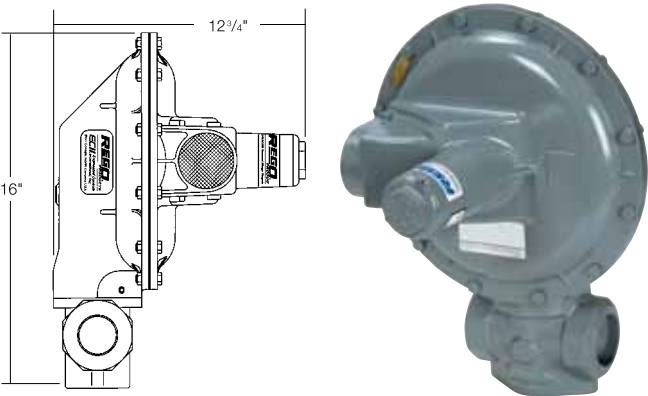


Ordering Information

Part Number	Inlet Connection	Outlet Connection	Orifice Size	Factory Delivery Pressure	Adjustment Range	Bonnet Vent Position	Vapor Capacity BTU/hr. Propane*
LV5503G4	1/2" F. NPT	3/4" F. NPT	1/4"	15" w.c. at 15 PSIG Inlet	8" - 18" w.c.	Above Inlet	1,750,000

Maximum flow is based on 15 PSIG inlet pressure and 13" w.c. delivery pressure.

Large Capacity Second Stage Regulators LV6503B Series



Application

These regulators are designed to reduce gas pressure from the first stage regulator down to appliance pressure, normally 11" w.c. They are for use in LP-Gas applications.

Features

- Tee style inlet and outlet connections – made from ductile iron.
- Incorporate integral large 2" F.NPT relief vents.
- Built in pressure taps for both inlet and outlet pressure.
- Full capacity relief at 10 psig inlet will keep the down stream pressure at less than 2 PSIG per NFPA 58.

Materials

Inlet Body.....	Ductile Iron
Body	Cast Aluminum
Bonnet	Cast Aluminum

Ordering Information

Part Number	Inlet Connection	Outlet Connection	Orifice Size	Factory Delivery Pressure	Adjustment Range	Bonnet Vent Position	Vapor Capacity BTU/hr. Propane
LV6503B14	1 1/2" F. NPT	1 1/2" F. NPT	5/8"	11" w.c. at 10 PSIG Inlet	8 1/2" - 14" w.c.	Over Inlet	8,000,000
LV6503B16	2" F. NPT	2" F. NPT					9,750,000

* Maximum flow is based on 10 PSIG inlet and 20% droop.