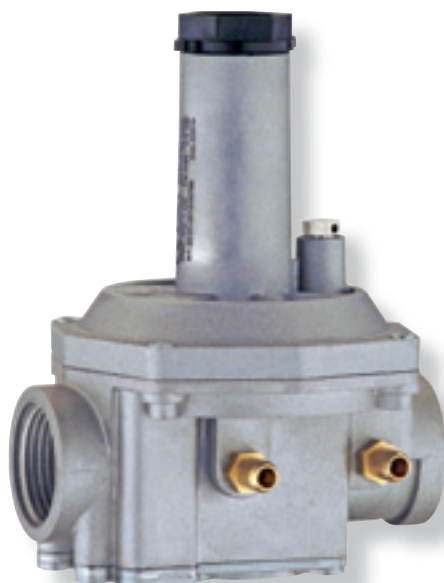


GAS GOVERNOR ½", ¾" and 1"– Pmax 2 bar



Code	Description	Dimension	Pmax
RG015-2B	Gas Governor	½"	Pmax 2 bar
RG020-2B	Gas Governor	¾"	Pmax 2 bar
RG025-2B	Gas Governor	1"	Pmax 2 bar
RGD25-2B	Gas Governor	1"	Pmax 2 bar

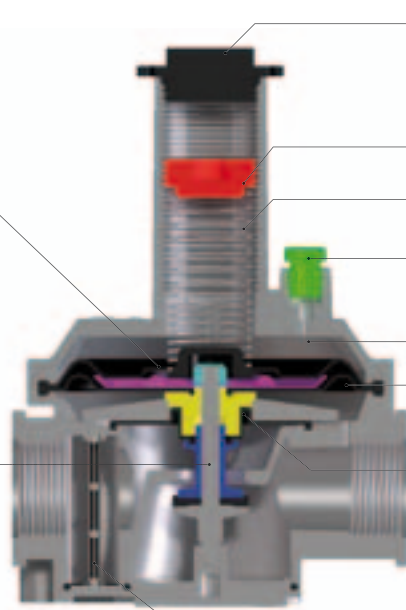
Code	Description	Dimension	Pmax
RG032-2B	Gas Governor with filter	1 ¼ "	500 mbar
RG040-2B	Gas Governor with filter	1 ½"	500 mbar
RGD32-2B	Gas Governor with filter	DN32	500 mbar
RGD40-2B	Gas Governor with filter	DN40	500 mbar

TECHNICAL FEATURES

Pmax	inlet max – 2 bar
Setting outlet	10 – 300 mbar – Standard spring supplied 10 – 27 mbar – Other spring on request
Filtering	≤ 50µm –
Inlet - Outlet Connection	Thread gas ½", ¾" 1" - ISO 228 DN25 - Sliding Aluminium flange PN10
Test point	Inlet / outlet on request – Test point 1/8" NPT
Working Temperature	- 20 °C – + 60 °C
Use	Not aggressive gases of three families – Natural Gas – LPG – Town Gas
Approval	UNI - EN 88 /1 : 2008

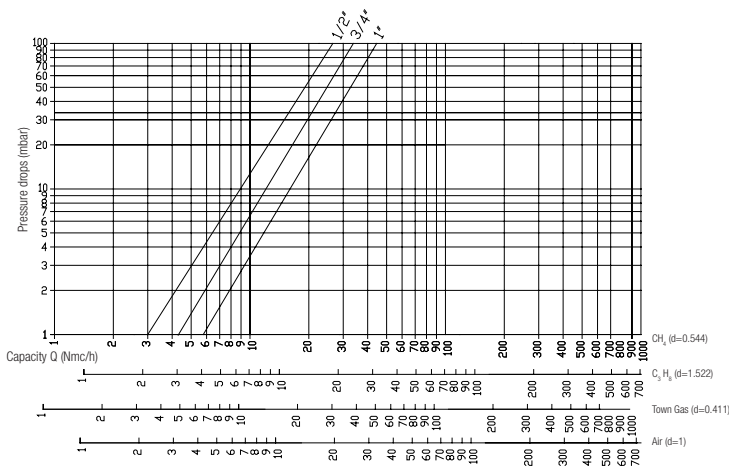
Materials:

Complete Body	Die – Cast Aluminium Gd – AISI12Cu - EN AB 46100
Diaphragms	NBR 60Sh – DvGW EN 549
Plastic components	Yellow POM / Pa 66 + 25% Gf

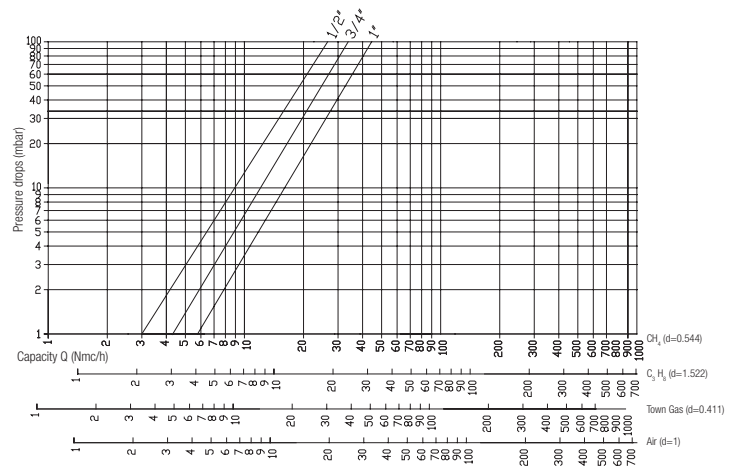


- 1 Seal cap
- 2 Spring compressor
- 3 Spring
- 4 Vent connection
- 5 Safety diaphragm
- 6 Compensation diaphragm
- 7 Working diaphragm
- 8 Anti-impurity filter

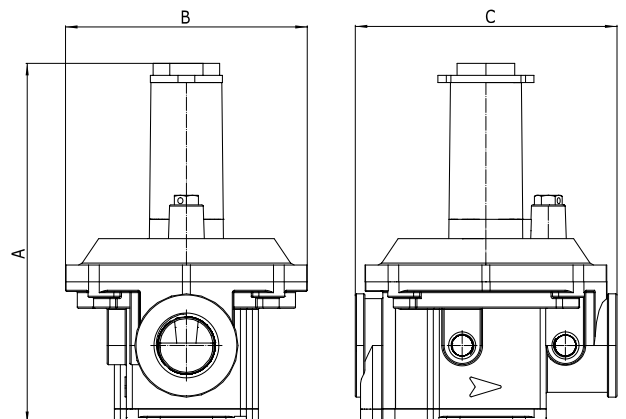
FLOW CHART – Gas Governor without filter



FLOW CHART – Gas Governor with filter



DIMENSIONS (mm) and WEIGHT (kgs)				
Dimension	A	B	C	Weight
1/2"	154	100	115	0,720
3/4"	154	100	115	0,688
1"	154	100	115	0,663



GAS GOVERNOR 1 ¼", 1 ½" – Pmax 2 bar



Code	Description	Dimension	Pmax
RG032-2B	Gas Governor	1 ¼"	2 bar
RG040-2B	Gas Governor	1 ½"	2 bar
RGD32-2B	Gas Governor	DN32	2 bar
RGD40-2B	Gas Governor	DN40	2 bar

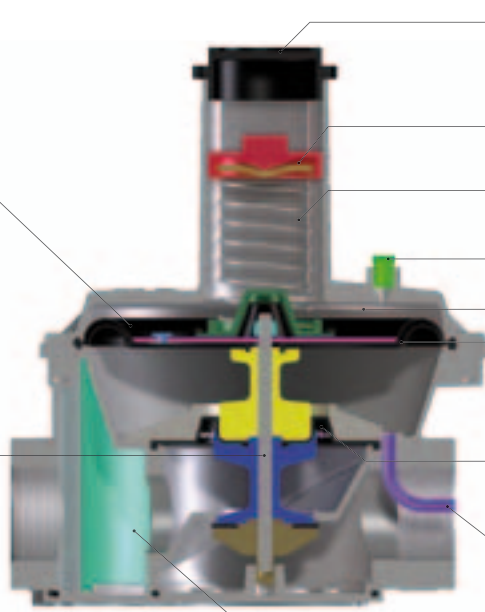
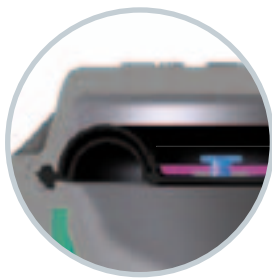
Code	Description	Dimension	Pmax
RG032-FT-2B	Gas Governor with filter	1 ¼"	2 bar
RG040-FT-2B	Gas Governor with filter	1 ½"	2 bar
RGD32-FT-2B	Gas Governor with filter	DN32	2 bar
RGD40-FT-2B	Gas Governor with filter	DN40	2 bar

TECHNICAL FEATURES

Pmax :	inlet max – 2 bar
Setting outlet :	10 – 300 mbar – Standard spring supplied 10 – 27 mbar – Other spring on request
Filtering:	≤ 50µm – Viledon cartridge
Inlet - Outlet Connection	Thread gas 1 ¼" 1½" - ISO 228 DN32 DN40 - Sliding Aluminium flange PN10
Test point	Inlet / outlet on request – Test point 1/8" NPT
Working Temperature	- 20 °C – + 60 °C
Use	Not aggressive gases of three families – Natural Gas – LPG – Town Gas
Approval	UNI - EN 88 / 2 : 2008

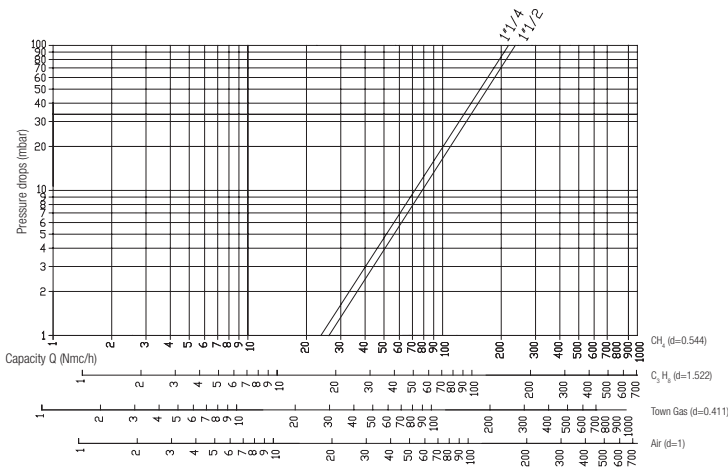
Materials:

Complete Body	Die – Cast Aluminium Gd – AISI12Cu - EN AB 46100
Diaphragms	NBR 60Sh – DvGW EN 549
Plastic components	White POM / Pa 66 + 25% Gf

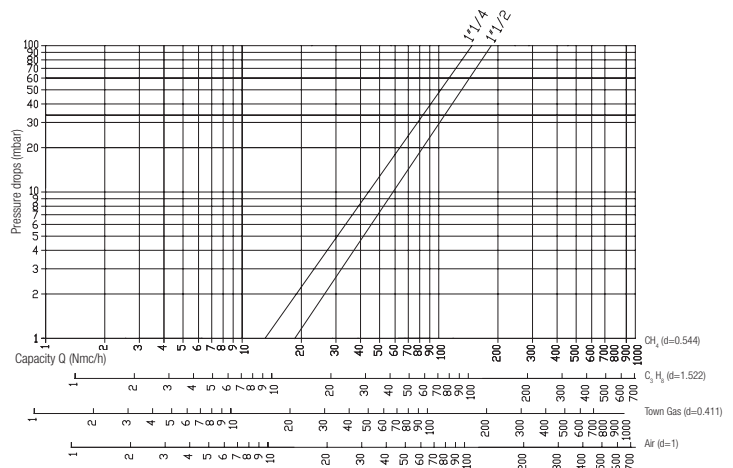


- 1 Seal cap
- 2 Spring compressor
- 3 Spring
- 4 Vent connection
- 5 Safety diaphragm
- 6 Compensation diaphragm
- 7 Working diaphragm
- 8 Sensing tube
- 9 Anti-impurity filter

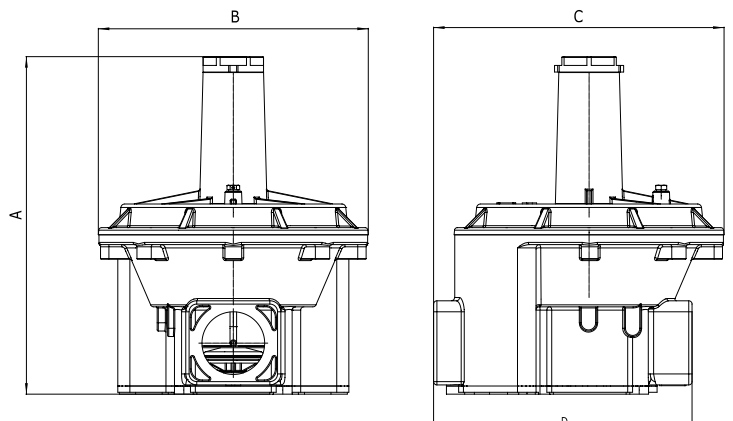
FLOW CHART – Gas Governor without filter



FLOW CHART – Gas Governor with filter



DIMENSIONS (mm) and WEIGHT (kgs)					
Dimension	A	B	C	D	Weight
1 1/4"	243.5	195.5	206	194	3,140
1 1/2"	243.5	195.5	206	194	3,060



GAS GOVERNOR 2" – Pmax 2 bar



Code	Description	Dimension	Pmax
RG050-2B	Gas Governor	2"	2 bar
RGD50-2B	Gas Governor	DN50	2 bar

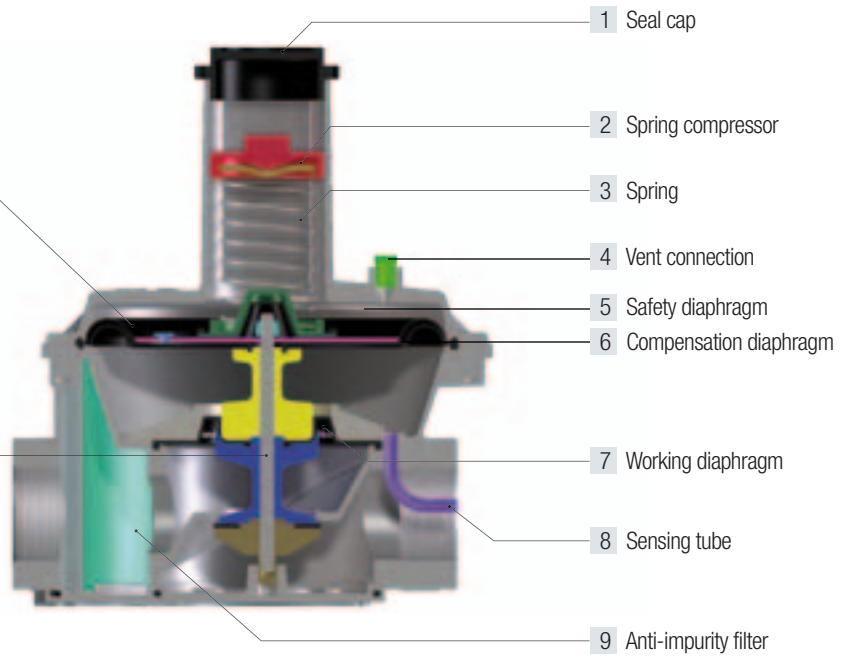
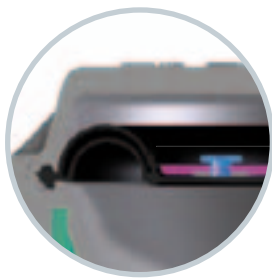
Code	Description	Dimension	Pmax
RG050-FT-2B	Gas Governor with filter	2"	2 bar
RGD50-FT-2B	Gas Governor with filter	DN50	2 bar

TECHNICAL FEATURES

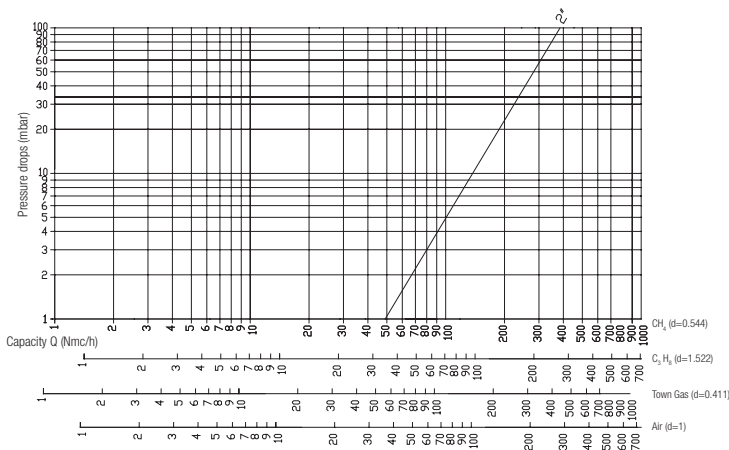
Pmax :	inlet max – 2 bar
Setting outlet :	10 – 300 mbar – Standard spring supplied 10 – 27 mbar – Other spring on request
Filtering:	≤ 50µm – Viledon cartridge
Inlet - Outlet Connection	Thread gas 2" - ISO 228 DN50 - Sliding Aluminium flange PN10
Test point	Inlet / outlet on request – Test point 1/8" NPT
Working Temperature	- 20 °C – + 60 °C
Use	Not aggressive gases of three families – Natural Gas – LPG – Town Gas
Approval	UNI - EN 88 / 2 : 2008

Materials:

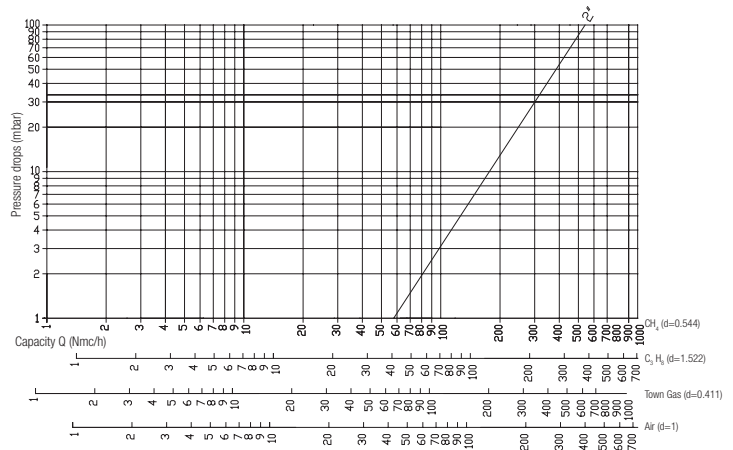
Complete Body	Die – Cast Aluminium Gd – AISI12Cu - EN AB 46100
Diaphragms	NBR 60Sh – DvGW EN 549
Plastic components	White POM / Pa 66 + 25% Gf



FLOW CHART – Gas Governor without filter



FLOW CHART – Gas Governor with filter



DIMENSIONS (mm) and WEIGHT (kgs)					
Dimension	A	B	C	D	Weight
2"	301	245	264	235	5,8

