

**GAS FILTER 1/2", 3/4", 1" – Pmax 6 bar**



Code	Description	Dimension	Pmax
GF015	Gas filter	1/2"	6 bar
GF020	Gas filter	3/4"	6 bar
GF025	Gas filter	1"	6 bar
GFD25	Gas filter	DN25	6 bar
GF015-TPIO	Gas filter with test point in/out	1/2"	6 bar
GF020-TPIO	Gas filter with test point in/out	3/4"	6 bar
GF025-TPIO	Gas filter with test point in/out	1"	6 bar
GFD25-TPIO	Gas filter with test point in/out	DN25	6 bar
GF015-SP	Gas filter with screw plugs	1/2"	6 bar
GF020-SP	Gas filter with screw plugs	3/4"	6 bar
GF025-SP	Gas filter with screw plugs	1"	6 bar
GFD25-SP	Gas filter with screw plugs	DN25	6 bar

**TECHNICAL FEATURES**

<b>Operation maximum pressure</b>	6 bar
<b>Working Temperature</b>	- 20 °C – + 60 °C
<b>Filtration</b>	50 Micron
<b>Use</b>	Non – aggressive gases – Family 1 – 2 – 3 and air
<b>Cartridge element</b>	Viledon cartridge
<b>Inlet - Outlet Connection</b>	Thread gas 1/2" – 3/4" 1" – ISO 228 DN25 - Sliding Aluminium flange PN10
<b>Complete Body</b>	Die – Cast Aluminium Gd – AISi12Cu - EN AB 46100
<b>Seals</b>	NBR
<b>Approval</b>	PED

**Optional:**

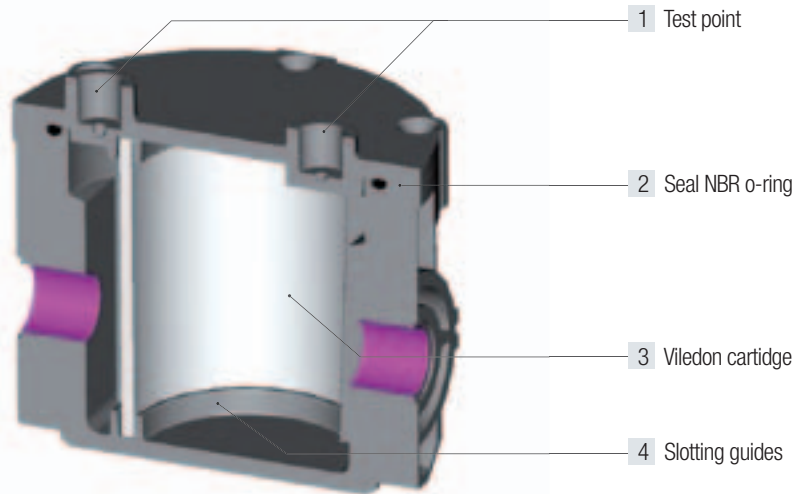
- Test point – NPT 1/4"

- Screw – NPT 1/4"

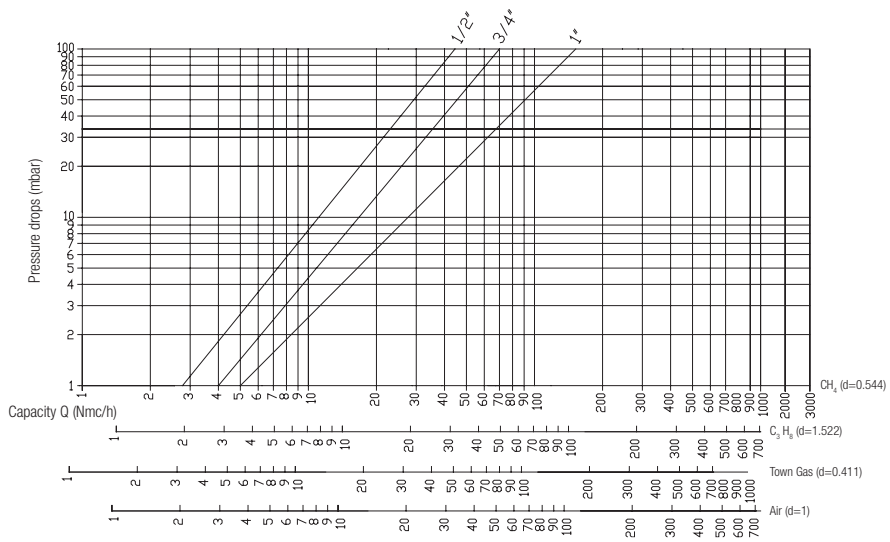
- Peters plug

- Manometer

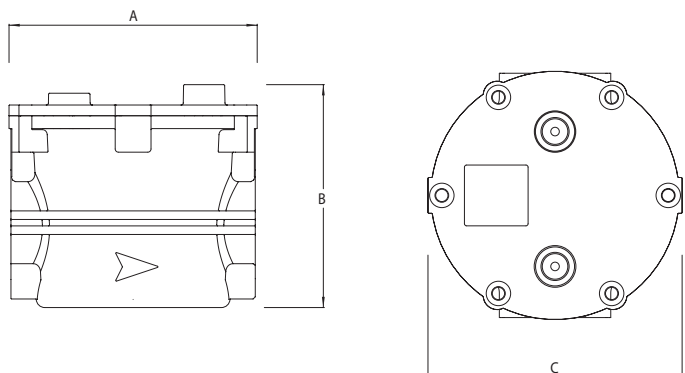
- DP clogging indicator



### FLOW CHART



DIMENSIONS (mm) and WEIGHT (kgs)				
Dimension	A	B	C	Weight
1/2"	114.0	105.5	118.5	806,4
3/4"	114.0	105.5	118.5	795,3
1"	114.0	105.5	118.5	786,9



**GAS FILTER 1 ¼”, 1 ½” and 2” – Pmax 6 bar**



Code	Description	Dimension	Pmax
GF032	Gas filter	1 ¼”	6 bar
GF040	Gas filter	1 ½”	6 bar
GF050	Gas filter	2”	6 bar
GFD32	Gas filter	DN32	6 bar
GFD40	Gas filter	DN40	6 bar
GFD50	Gas filter	DN50	6 bar

GF032-TPIO	Gas filter with test point in/out	1 ¼”	6 bar
GF040-TPIO	Gas filter with test point in/out	1 ½”	6 bar
GF050-TPIO	Gas filter with test point in/out	2”	6 bar
GFD32-TPIO	Gas filter with test point in/out	DN32	6 bar
GFD40-TPIO	Gas filter with test point in/out	DN40	6 bar
GFD50-TPIO	Gas filter with test point in/out	DN50	6 bar

GF032-SP	Gas filter with screw plugs	1 ¼”	6 bar
GF040-SP	Gas filter with screw plugs	1 ½”	6 bar
GF050-SP	Gas filter with screw plugs	2”	6 bar
GFD32-SP	Gas filter with screw plugs	DN32	6 bar
GFD40-SP	Gas filter with screw plugs	DN40	6 bar
GFD50-SP	Gas filter with screw plugs	DN50	6 bar

**TECHNICAL FEATURES**

<b>Operation maximum pressure</b>	6 bar
<b>Working Temperature</b>	- 20 °C – + 60 °C
<b>Filtration</b>	50 Micron
<b>Use</b>	Non – aggressive gases – Family 1 – 2 – 3 and air
<b>Cartridge element</b>	Viledon cartridge
<b>Inlet - Outlet Connection</b>	Thread gas 1 ¼” 1 ½” 2” – ISO 228 DN32 DN40 DN50 - Sliding Aluminium flange PN10
<b>Complete Body</b>	Die – Cast Aluminium Gd – AlSi12Cu - EN AB 46100
<b>Seals</b>	NBR
<b>Approval</b>	PED

**Optional:**

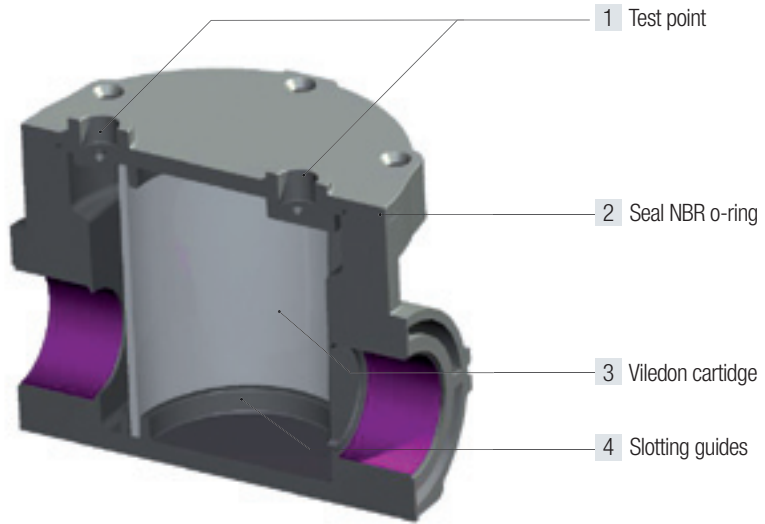
- Test point – NPT ¼”

- Screw – NPT ¼”

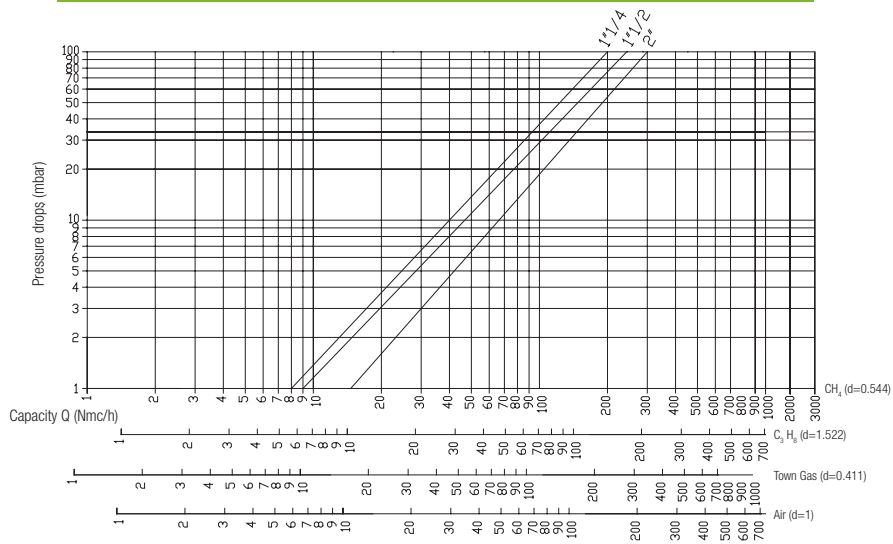
- Peters plug

- Manometer

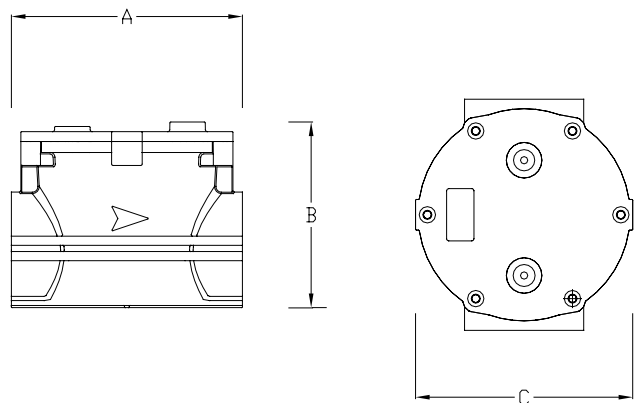
- DP clogging indicator



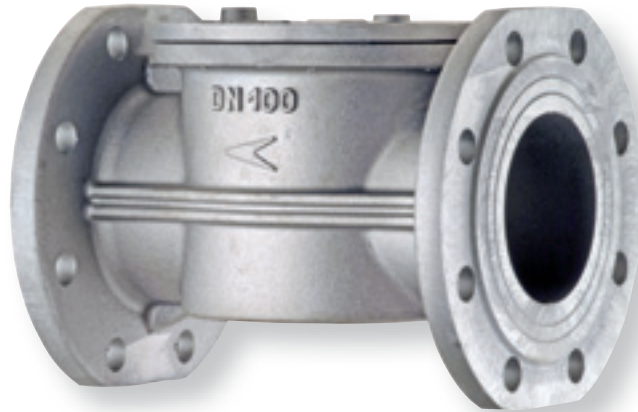
### FLOW CHART



DIMENSIONS (mm) and WEIGHT (kgs)				
Dimension	A	B	C	Weight
1 ¼"	164.0	131.7	152.5	1,63
1 ½"	164.0	131.7	152.5	1,55
2"	164.0	131.7	152.5	1,45



**GAS FILTER DN65 – DN80 – DN100 – Pmax 6 bar**



Code	Description	Dimension	Pmax
GFD65	Gas filter	DN65	6 bar
GFD80	Gas filter	DN80	6 bar
GFD100	Gas filter	DN100	6 bar

GFD65-TPIO	Gas filter with test point in/out	DN65	6 bar
GFD80-TPIO	Gas filter with test point in/out	DN80	6 bar
GFD100-TPIO	Gas filter with test point in/out	DN100	6 bar

GFD65-SP	Gas filter with screw plugs	DN65	6 bar
GFD80-SP	Gas filter with screw plugs	DN80	6 bar
GFD100-SP	Gas filter with screw plugs	DN100	6 bar

**TECHNICAL FEATURES**

<b>Operation maximum pressure</b>	6 bar
<b>Working Temperature</b>	- 20 °C – + 60 °C
<b>Filtration</b>	50 Micron
<b>Use</b>	Non – aggressive gases – Family 1 – 2 – 3 and air
<b>Cartridge element</b>	Viledon cartridge
<b>Connection</b>	Flanged PN16 – DN65 – DN80 – DN100
<b>Complete Body</b>	Die – Cast Aluminium Gd – AISI12Cu - EN AB 46100
<b>Seals</b>	NBR
<b>Approval</b>	PED

**Optional:**

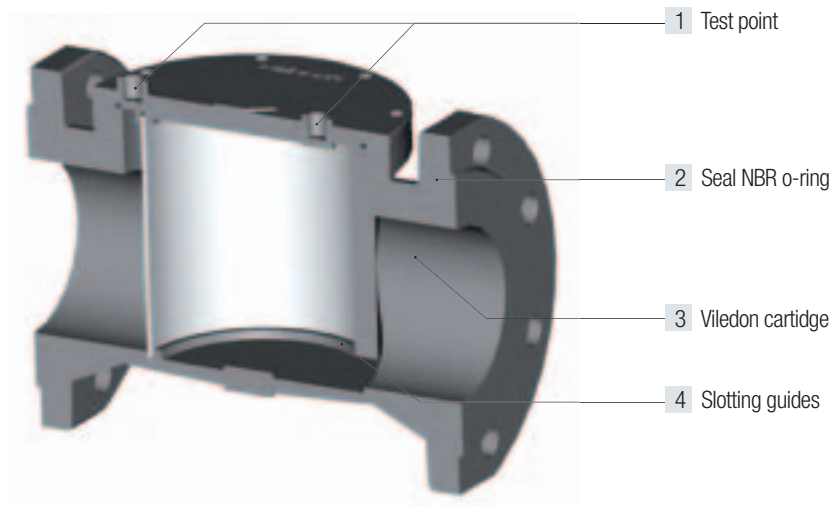
- Test point – NPT ¼"

- Screw – NPT ¼"

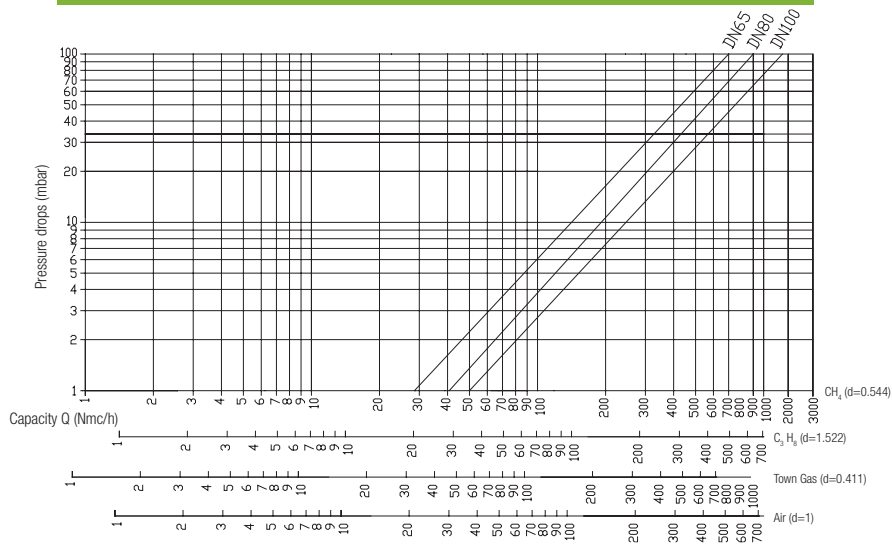
- Peters plug

- Manometer

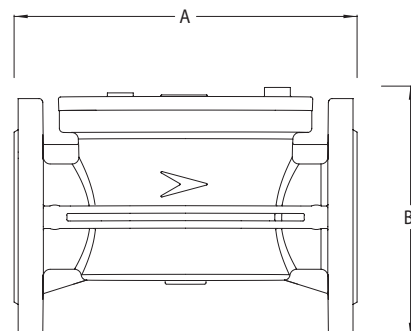
- DP clogging indicator



### FLOW CHART



DIMENSIONS (mm) and WEIGHT (kgs)				
Dimension	A	B	C	Weight
DN65	260.5	190.0	220.0	8,30
DN80	260.5	190.0	220.0	8,30
DN100	260.5	190.0	220.0	9,50



**GAS FILTER DN125 – DN150 – Pmax 6 bar**



Code	Description	Dimension	Pmax
<b>GFD125</b>	Gas filter	DN125	6 bar
<b>GFD150</b>	Gas filter	DN150	6 bar
<b>GFD125-TPIO</b>	Gas filter with test point in/out	DN125	6 bar
<b>GFD150-TPIO</b>	Gas filter with test point in/out	DN150	6 bar
<b>GFD125-SP</b>	Gas filter with screw plugs	DN125	6 bar
<b>GFD150-SP</b>	Gas filter with screw plugs	DN150	6 bar

**TECHNICAL FEATURES**

<b>Operation maximum pressure</b>	6 bar
<b>Working Temperature</b>	- 20 °C – + 60 °C
<b>Filtration</b>	50 Micron
<b>Use</b>	Non – aggressive gases – Family 1 – 2 – 3 and air
<b>Cartridge element</b>	Viledon cartridge
<b>Connection</b>	Flanged PN16 – DN125 – DN150
<b>Complete Body</b>	Die – Cast Aluminium Gd – AISI12Cu - EN AB 46100
<b>Seals</b>	NBR
<b>Approval</b>	PED

**Optional:**

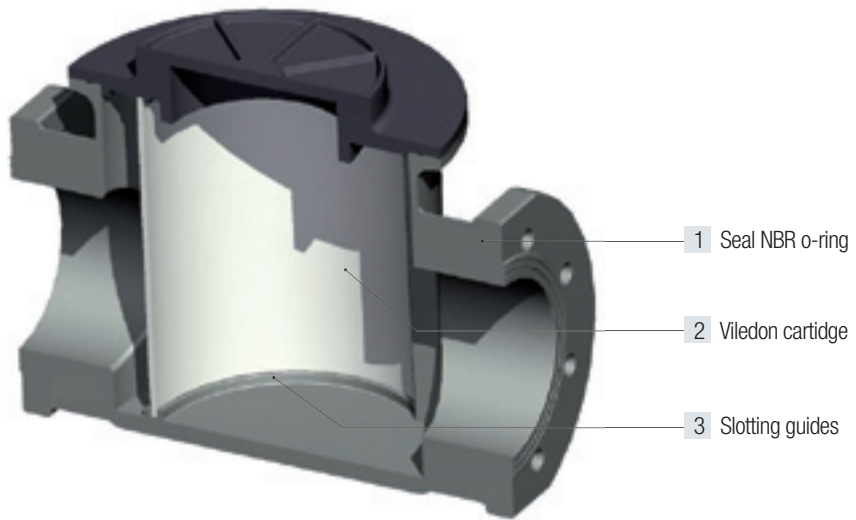
- Test point – NPT ¼"

- Screw – NPT ¼"

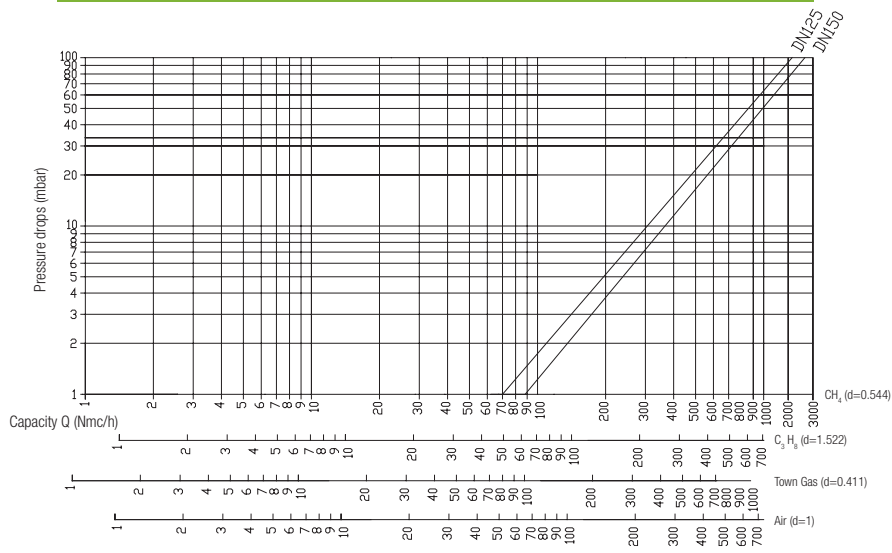
- Peters plug

- Manometer

- DP clogging indicator



### FLOW CHART



DIMENSIONS (mm) and WEIGHT (kgs)				
Dimension	A	B	C	Weight
DN125	442.5	347.7	330.0	23,
DN150	442.5	347.7	330.0	21

