

# Relief Valves for Gas & Cryogenic Systems

## 9400 Series Brass or Stainless Steel, Non-ASME

### Application

These relief valves are specifically designed for thermal safety relief applications and cryogenic liquid containers.

### Features

- All valves are cleaned and packaged for oxygen service per CGA G-4.1.
- Bubble tight at 95% of set pressure.
- Easy to read color coded psig / bar labels.
- Adapters provide standard pipe thread connections for venting gas to the outdoors.
- Repeatable performance.
- 100% factory tested.
- Temperatures Range -320° to +165° F.

### Materials SS Style

|                         |                 |
|-------------------------|-----------------|
| Body .....              | Stainless Steel |
| Spring .....            | Stainless Steel |
| Seat Retainer.....      | Stainless Steel |
| Adjusting Screw.....    | Stainless Steel |
| Pipe-Away Adapter ..... | Stainless Steel |

### Materials PRV and B-Style

|                         |                 |
|-------------------------|-----------------|
| Body .....              | Brass           |
| Spring .....            | Stainless Steel |
| Seat Retainer.....      | Brass           |
| Adjusting Screw.....    | Brass           |
| Pipe-Away Adapter ..... | Brass           |

### Flow Performance

- PRV and SS style flow at 0.783 SCFM Air/PSIA at 110% of set pressure.
- B-9425N has a flow of 6.7 SCFM Air/PSIA at 120% of set pressure.
- B-9426N has a flow of 11.0 SCFM Air/PSIA at 120% of set pressure

### Seat Material Option

F for Fluorosilicone for PRV and SS styles for 15-139psi.  
 T for PTFE for PRV and SS styles for 140-600psi  
 N for B-9425 and B-9426, Fluorosilicone seat, all set pressures.

### Drain Hole Option

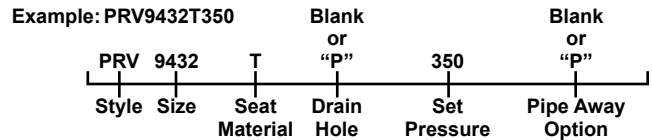
Relief valves without pipeaway typically provided with drain holes, leave blank. **P** - for relief valves without drain hole, for example PRV9432TP350

**WARNING:** Inspection and maintenance of pressure relief valves is very important. Failure to properly inspect and maintain pressure relief valves could result in personal injuries or property damage. The useful safe service life of a pressure relief valve may be significantly affected by the service environment.

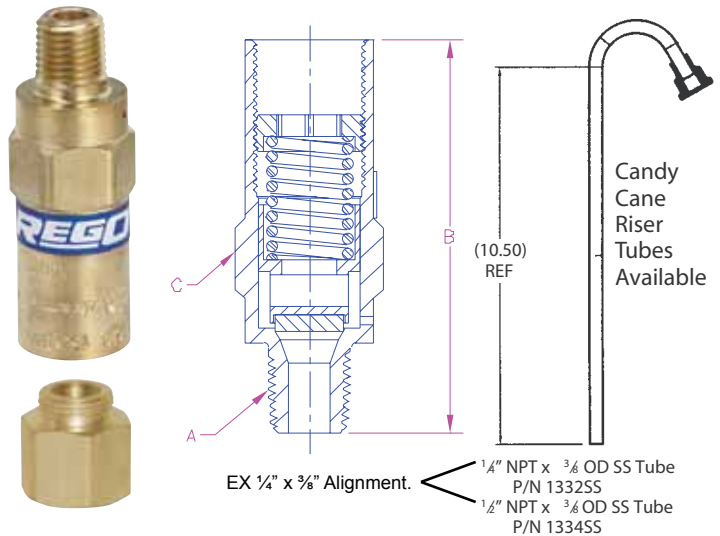
### Ordering Information

### Ordering Information

Fill in the blanks with options below.



This example part number indicates a 1/4" M.NPT relief valve with PTFE seat, set at 350 PSIG with drain hole and no pipe away adapter.



### Set Pressure

Specify set pressure within range specified for style and size. The B-9425 & B-9426N are available in select settings only. Special order.

### Pipe Away Option

**P** Pipeaway included and attached, No drain hole in relief valve.  
 For example PRV9432TP350  
 Leave blank for relief valve without pipe-away attached.  
 For example PRV9432TP 350.

For easy identification, the following standard settings have color coded labels for all PRV and SS Style sizes and settings marked in PSIG and bar:

### Color Identification

|          |        |          |            |
|----------|--------|----------|------------|
| 22 psig  | yellow | 230 psig | blue       |
| 35 psig  | purple | 350 psig | orange     |
| 50 psig  | white  | 450 psig | pink       |
| 100 psig | gray   | 500 psig | light blue |
| 150 psig | red    |          |            |

| Style | Size | Inlet M.NPT A | Body and Valve Material | Pressure Setting Range PSIG | Height B | Wrenching Hex C | Orifice Size Sq. Inch | Pipe-Away Adapter P/N | Pipe-Away Outlet F.N.P.T. |
|-------|------|---------------|-------------------------|-----------------------------|----------|-----------------|-----------------------|-----------------------|---------------------------|
| PRV   | 9432 | 1/4"          | Brass                   | 17-600                      | 2.6"     | 7/8"            | .062                  | B-9412-2              | 3/8"                      |
| SS    | 9432 | 1/4"          | Stainless Steel         | 17-600                      | 2.6"     | 7/8"            | .062                  | SS-9412-4             | 1/2"                      |
| PRV   | 9433 | 3/8"          | Brass                   | 17-600                      | 2.6"     | 7/8"            | .062                  | B-9412-2              | 3/8"                      |
| SS    | 9433 | 3/8"          | Stainless Steel         | 17-600                      | 2.6"     | 7/8"            | .062                  | SS-9412-4             | 1/2"                      |
| PRV   | 9434 | 1/2"          | Brass                   | 17-600                      | 2.8"     | 7/8"            | .062                  | B-9412-4              | 1/2"                      |
| SS    | 9434 | 1/2"          | Stainless Steel         | 17-600                      | 2.8"     | 7/8"            | .062                  | SS-9412-4             | 1/2"                      |
| B-    | 9425 | 3/4"          | Brass                   | 50-300                      | 3.4"     | 1 3/4"          | .43                   | B-3131-10             | 1"                        |
| B-    | 9426 | 1"            | Brass                   | 100-300                     | 5.5"     | 2 3/8"          | .62                   | B-3132-10             | 1 1/4"                    |