

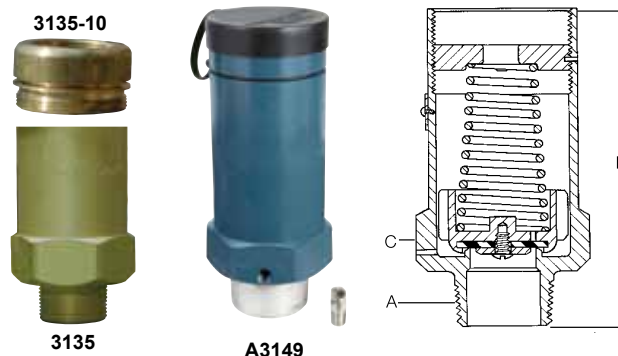
External "Pop-Action" Pressure Relief Valves for ASME Containers and Bulk Plant Installations AA3126, AA3130, 3131, 3132, 3133, 3135, AA3135, and A3149 Series

Application

Designed for use as a primary relief valve on ASME above ground and underground containers, bulk plant installations and skid tanks. The 3131 Series may also be used as a primary or secondary relief valve on DOT cylinders, or as a hydrostatic relief valve. All working components of these relief valves are outside the container connection, so the valves must be protected from physical damage.

Features

- "Pop-action" design keeps product loss at a minimum.
- Relief valve designed to automatically reseal firmly after discharge.
- Resilient seat disc provides "bubble-tight" seal.
- 3149 relief valves incorporate integral pipeaway adapter with break off groove that protects the valve from piping stress damage.
- Optional pipeaway adapters have grooves that will break off to protect the relief valve from damage should excess stress be applied to the piping.
- 3149 relief valves include weep hole deflectors, installed to guard against flame impingement on adjacent containers.
- Most are ASME rated for use with LP-Gas and anhydrous ammonia.



3135

A3149



AA3135



3132-10



W3132G

Materials

Description	3131, 3132, 3133, 3135	AA3126 AA3130	AA3135	A3149
Body	Brass	Aluminum Rod*		Upper Cold Rolled Steel Lower Ductile Iron
Liner		None		Stainless Steel
Spring Guide	Brass	Aluminum		Stainless Steel
Spring	Corrosion Resistant Steel	Stainless Steel		Stainless Steel or Coated Steel
Seat Disc		Resilient Synthetic Rubber		



Ordering Information

Part Number	Start To Discharge Setting PSIG	A Container Connection M. NPT	B Overall Height (Approx.)	C Wrench Hex Section	Flow Capacity SCFM/Air (a)			Accessories			
					UL (At 120% of Set Pressure)	ASME (At 120% of Set Pressure)	Suitable for Tanks w/Surface Area Up To: (e)	Protective Cap	Part Number	Outlet Size	Weep Hole Deflector
AA3126L030	30	1/2"	2 3/8"	7/8"	(b)	-	-	7545-40	AA3126-10	1/2" M. NPT	-
A3149L55	55	2 1/2"	10 1/2"	4 1/8"	2608(c)	-	113 Sq. Ft.	3149-40	(h)	Included (j)	
A3149L200	200				8770 (c)	-	500 Sq. Ft.				
AA3126L250	250	1/2"	2 3/8"	7/8"	2060	1939	85 Sq. Ft.	7545-40	AA3126-10	1/2" M. NPT	3133-11
3131G		3/4"	3 7/16"	1 1/4"	2045	1838	249 Sq. Ft. (f)	3131-40 (g)	-	-	
AA3130UA250		1"	6 1/2"	2 3/8"	3340	-	154 Sq. Ft.	3132-54 (g)	3132-10	1 1/4" F. NPT	
W3132G					4130	-	200 Sq. Ft.		-	-	
3132G		3790	-	180 Sq. Ft.	3132-10	1 1/4" F. NPT					
T3132G		3995	-	190 Sq. Ft.	-	-					
MV3132G		5770	-	300 Sq. Ft.	3135-54 (g)	3135-10					
3135G		6430	6341	1010 Sq. Ft. (f)	AA3135-OPR	AA3135-10	2" F. NPT				
AA3135UA250		1 1/2"	5 15/16"	3 3/8"	6080	-	320 Sq. Ft.	3133-40 (g)	3133-10	-	
3133G		2 1/2"	10 1/2"	4 1/8"	10390	9153	613 Sq. Ft.	3149-40	(h)	Included (j)	
A3149G	3/4"	3 7/16"	1 1/4"	2125	1912	261 Sq. Ft. (f)	AA3130-40P	AA3131-10	1" F. NPT	-	
AA3130UA265	265	1 1/4"	6 13/32"	2 11/16"	6615	6703	1045 Sq. Ft. (f)	AA3135-40PR	AA3135-10	2" F. NPT	3133-11
AA3135UA265		1/2"	2 3/8"	7/8"	330 (c)	-	27 Sq. Ft. (f)	7545-40	AA3126-10	1/2" M. NPT	-

(a) Flow rates shown are for bare relief valves. Adapters and pipeaways will reduce flow as discussed in forewording information.
 (b) Not UL or ASME rated. .059 square inch effective area.
 (c) Not UL or ASME rated. REGO® rated at 120% of set pressure.

(f) Per ANSI K61.1-1972, Appendix A.
 (g) Cap supplied with chain.
 (h) Outlet 3 1/2"-8N (F) thread, will accept 3" M. NPT pipe thread.
 (j) Weep hole deflector is Part No. A3134-11B.

(e) Per NFPA Pamphlet #58, Appendix D. Area shown is for UL or ASME flow rating—whichever is larger.